



## PRESS SB1312/250

Medium tonnage, shuttle bed press designed for close/open mold resin injection / pouring operations ( eg. Long fibers reinforcement ).

The below special features of the press:

- 60° upper platen tilting
- sliding system (shuttle) of lower platen

give the following main advantages :

- Easy access on the upper tool
- Three sides access on the lower platen for easy inserts loading or resin and fibers spray operations.

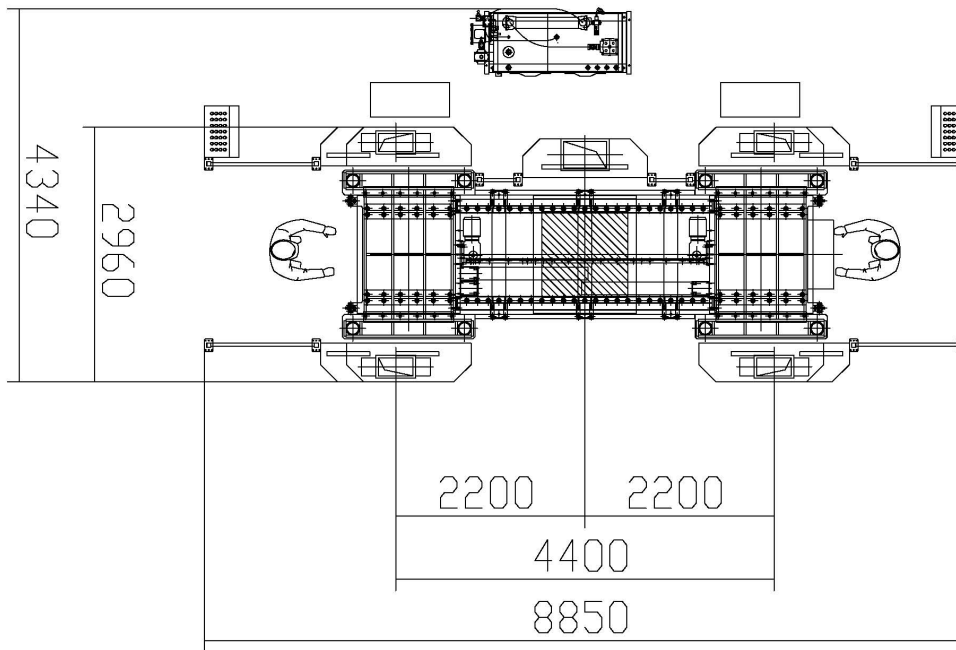


Max closing force	2500 KN
Max opening force	400 KN
Platens lenght	1300 mm
Platens width	1200 mm
Max daylight between platens	1500 mm
Max upper platen stroke	920 mm
Upper platen closing speed	65 mm/sec
Upper platen opening speed	60 mm/sec
Lower table in / out stroke	2050 mm
Lower platen in/out stroke speed	300 mm/sec
Upper platen tilting	60°
Upper platen tilting (down/up) time	5 sec

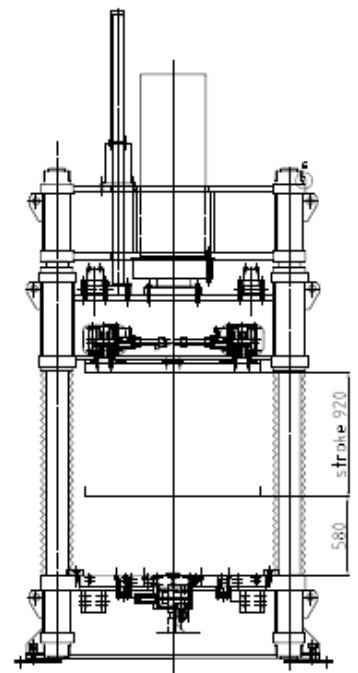
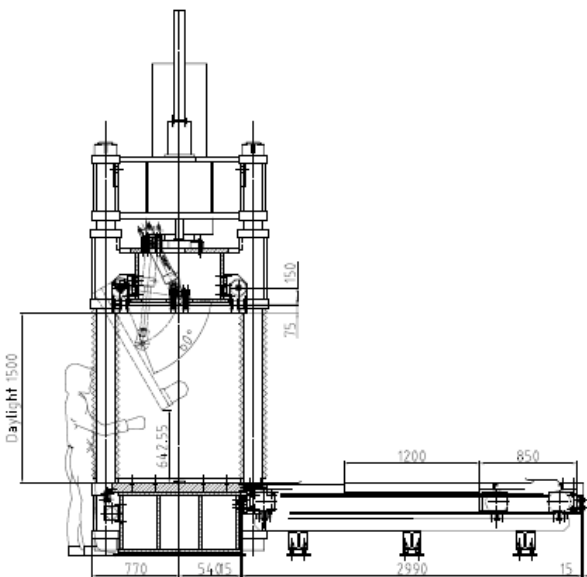




### TANDEM CONFIGURATION LAYOUT



### PRESS LAYOUT DETAIL



SB 1312/250 - PR12 Cannon Communication 04/2012 - SMC/ED